



8" AI Face Recognition Terminal

Model: IAA68-8Q

Latest waterproof 8-inch face recognition all-in-one machine Come with QR Code & Card Reader function



Applicable scene

Office buildings, meeting rooms, offices, elevator entrances, etc.

Main features

- Support binocular live detection
- Supports movement and face tracking exposure of people in strong backlight environment
- Unique face recognition algorithm, accurate face recognition, face recognition time is less than 0.3s

- Built-in domestic CPU
- Using LINUX operating system, the system is stable
- H.265 encoding format video stream is directly connected to storage devices such as NVR through ONVIF protocol and GB28181 protocol
- Support TF card expansion storage, continuous storage of pictures for 1 year, continuous storage of videos for 1 month or longer
- Mean time between failures MTBF>50000h
- Supports up to 30,000 face comparison libraries and 80,000 recognition records
- Rich interface protocols, supporting TCP/IP, UDP, RTP, RTSP, RTCP, HTTP, DNS, DDNS, DHCP, SMTP, UPNP, MQTT protocols under Windows/Linux and other platforms
- Working temperature: -20°C-60°C
- Ultra-thin body, exquisite industrial design
- Support anti-dismantling alarm
- Support video cloud intercom
- Support front-end touch screen personnel registration, equipment configuration, information query
- Support splicing structure to expand functions such as QR code reading, ID card reading, 4G communication, temperature measurement, etc.
- Support microphone input audio, speaker output audio
- Abundant hardware interfaces (I/O, WG26, WG34, RJ45, USB, door sensor, doorbell, door opening, alarm, RS485)
- 8-inch IPS full viewing angle high-definition display, no image smear, no delay
- Automatic gain, automatic white balance, so that the true color of the image can be restored naturally
- Built-in black light sensor for video surveillance, low-light recognition is more accurate
- 3D noise reduction and fog penetration technology make the monitoring picture under low illumination more clear and delicate
- Support partial shielding of video area
- Support ROI coding

- Automatic white balance, manual white balance
- Support 2D noise reduction, 3D noise reduction
- Support video brightness, contrast, hue, saturation, gamma adjustment
- Support setting the longest automatic exposure time
- Support smart face exposure and face smart enhancement settings

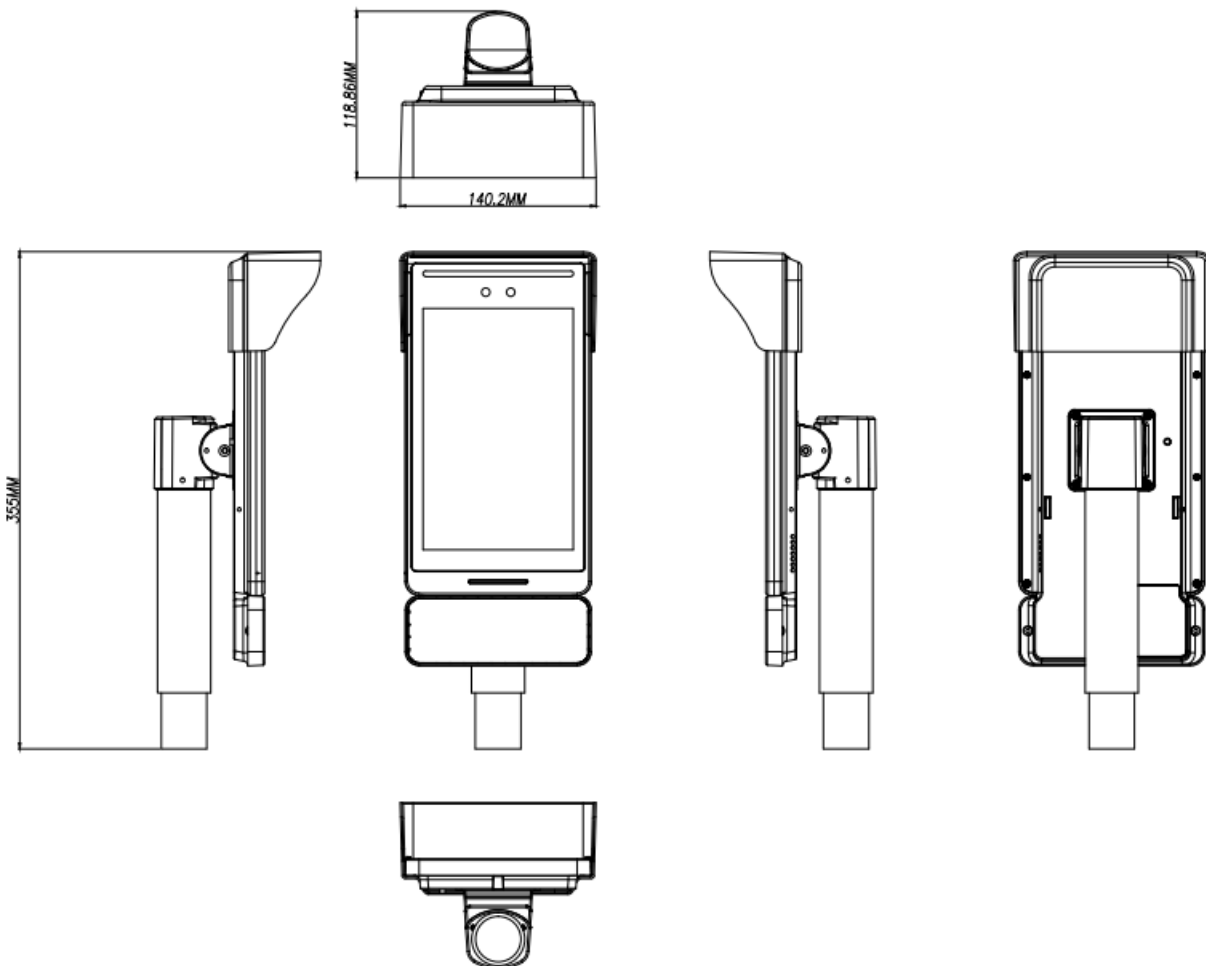
Specifications

hardware	
processor	Dual-core ARM Cortex-A7 and RISC-V MCU
operating system	Linux operating system
storage	1GB RAM + 8GB eMMC
Camera	Binocular, 2.1 million effective pixels, 1920*1080
Imaging device	1/2.8" Progressive Scan CMOS
Lens	4.5mm focal length
WiFi module (optional)	Optional, 2.4GHz WiFi SoC chip, integrated IEEE 802.11b/g/n baseband and RF circuit, maximum 72.2Mbit/s physical layer rate
Swipe module (optional)	13.56MHz, support Mifare S50, S70 card, ultralight card, NTAG card, DESFire D21, D41, D81, non-contact CPU card
QR code module (optional)	640 (horizontal) X 480 (vertical) CMOS, horizontal viewing angle 31°, supporting various one-dimensional and two-dimensional codes such as QR code, PDF417, EAN13, EAN8, UPC-A, etc.
Touch screen module	Capacitive multi-touch screen
speaker	Voice playback content can be customized
performance	
Recognition height	1.2~2.3 meters, adjustable angle
Recognition distance	0.5~2.5meters
Face angle	30 degrees left and right, 30 degrees up and down
Recognition time	Less than 0.3 seconds

Identify recording capacity	80000	
Face capacity	30000	
interface		
power input	DC12V/2A	
Network Interface	1 RJ45 10M / 100M adaptive Ethernet port, Gigabit Ethernet port can be customized	
Wiegand interface	1 Wiegand interface output, 1 Wiegand interface input	
Alarm interface	1 fire alarm input	
Door sensor interface	1 channel door sensor interface input	
Door opening interface	1 door open interface input	
Doorbell interface	1 channel doorbell interface output	
Door lock interface	1 way door lock interface output	
Communication Interface	1 RS485 communication interface	
USB interface	1 way USB interface	
Camera parameters		
Video camera	Binocular camera, G+P lens, visible light and near infrared, support live detection	
Effective Pixels	2.1 million effective pixels, 1920*1080	
Minimum illumination	Color 0.01Lux @F1.2 (ICR); black and white 0.001Lux @F1.2 (ICR)	
Signal-to-noise ratio	≥50db (AGC OFF)	
Wide dynamic	120db, partial exposure of ISP algorithm face	
Video encoding	H.265 Main Profile encoding/H.264 BP/MP/HP encoding/MJPEG encoding	
Dual stream resolution	Main stream	50Hz: 25fps (1920×1080, 1280×720)
		60Hz: 30fps (1920×1080, 1280×720)
	Secondary stream	720*576, 1-25(30) frames/sec/640*480, 1-25(30) frames/sec 320*240, 1-25(30) frames/sec

General parameters	
Operating temperature	-20°C - 60°C
Working humidity	0~90% relative humidity, non-condensing
equipment power	20W (MAX)
Salt spray grade	Rp6
ESD	Contact $\pm 6KV$, air $\pm 8KV$
powered by	DC12V/2A
Protection level	IP66
Screen specifications	8-inch high-definition IPS screen, resolution 1280*800
Equipment size	355 (length) * 140.2 (width) *118.86 (thickness) mm

Product Size



Interface definition

Serial number	name	quantity	Remark
① 1	Network port	1	RJ45
② 2	power supply	1	DC12V IN
③ 3	USB	1	USB 2.0
④ 4	Switch output	1	Switch output interface A+/B-
⑤ 5	Wiegand protocol input interface	1	① D0 D1
⑥ 6	Wiegand protocol output interface	1	① vcc12V ② GND ③ D0 D1
⑦ 7	RS485	1	① 485- 485+



INTELLIGENT ARTIFICIAL SDN BHD

No. 41, Jalan Puteri 5/3,
Bandar Puteri Puchong,
47100 Selangor

www.faceid.com.my Tel: 03-8060 9449

Whatsapp: 018-277 7728/ 016-414 2140