



INTELLIGENT ARTIFICIAL SDN. BHD

## 8" AI Face Recognition Terminal – SUPER SLIM

Model: IA568-8S



### Main Features:

- Support real time liveness detection
- Support tracking of personnel movements under strong backlight conditions
- Unique live face recognition algorithm to accurately recognize faces, face recognition time is less than 0.3s
- Using Linux operating system, better system stability
- The camera uses H.265 Main Profile encoding, compatible with NVR and other storage devices through the ONVIF protocol
- Mean time between failures MTBF>50000 H
- Support 30,000 face matching library and 80,000 face recognition records. 100,000 face matching library optional
- Rich interface protocol, support TCP/IP, UDP, RTP, RTSP, RTCP, HTTP, DNS, DDNS, DHCP, SMTP, UPNP, MQTT protocol, Windows/Linux
- From -30 °C to + 60 °C environment for long-term stable operation
- Support tamper alarm
- Support personnel registration, device configuration, information query via front touch screen

- Support spliced structure extension function of QR code scanning, card swiping, 4G, temperature measurement etc.
- Support microphone input audio, speaker output audio
- Rich hardware interface (I/O, WG26, WG34, RJ45, Door sensor, Doorbell, Open door, Alarm, RS485)
- 8-inch IPS HD screen, no streaking and delay
- Support automatic gain control and automatic white balance
- 3D noise reduction and fog-passing technology makes the monitoring picture under low illumination more clear and delicate

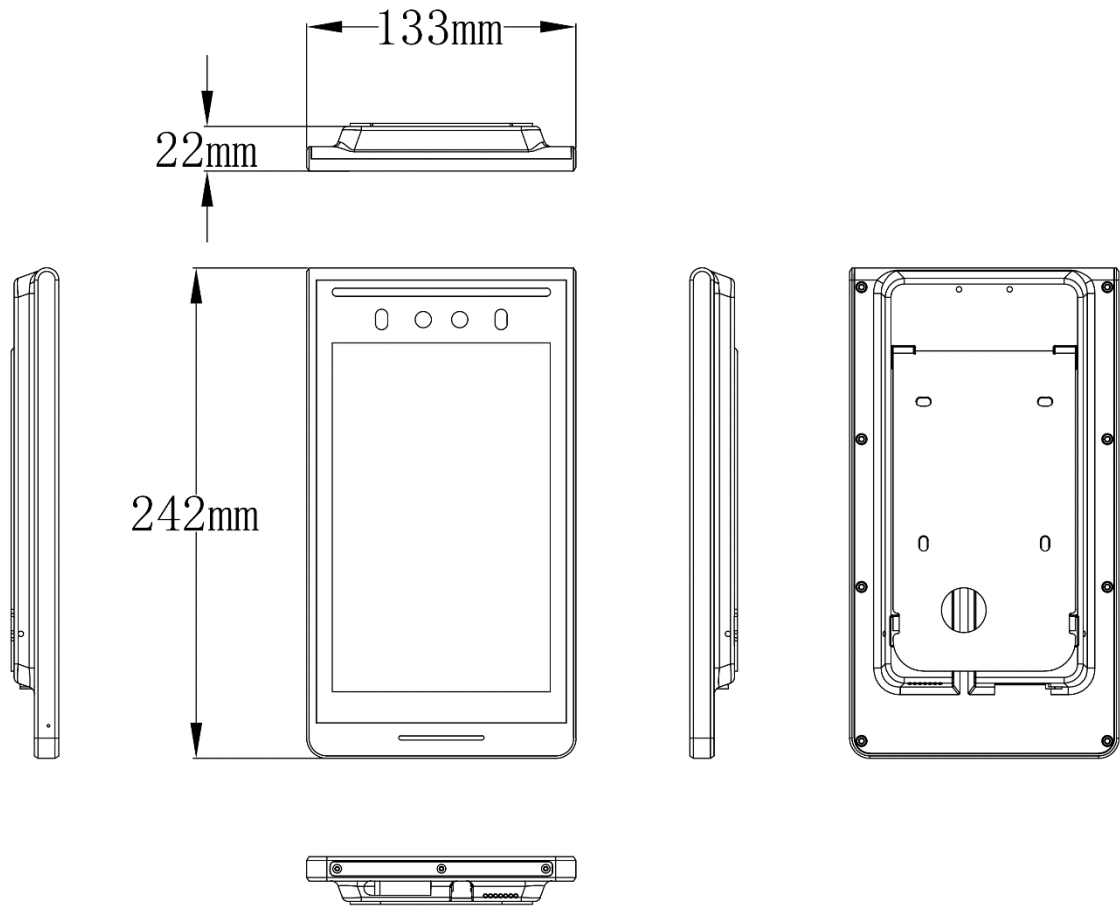
### Specifications:

Hardware		
Processor	Dual Core ARM Cortex-A7 and RISC-V MCU	
Operating system	Linux Operating system	
Memory	1G+8G	1G+16G
Camera	Dual camera, 2MP, 1920*1080	
Sensor	1/2.8" Progressive Scan CMOS	
Lens	4.5mm	
WiFi module (optional)	2.4GHz frequency band, IEEE802 b/g/n protocol; 5GHz frequency band, IEEE802 a/n/ac protocol	
Card swiping module (optional)	13.56MHz, support Mifare S50, S70 card, ultralight card, NTAG card, DESFire D21, D41, D81, non-contact CPU card	
4G module (optional)	Support LTE-FDD, LTE-TDD, DC-HSPA+, WCDMA, EDGE, GPRS and other network standards, the maximum downlink rate is 160Mbps, and the maximum uplink rate is 60Mbps	
QR code Scanning module (optional)	640 (horizontal) X 480 (vertical) CMOS, horizontal viewing angle 31° , support QR code, PDF417, EAN13, EAN8, UPC-A and other one-dimensional codes, two-dimensional codes	
Touch screen module (optional)	Multi-touch capacitive touch screen	

Speaker	voice playback content can be customized	
Performance		
Recognition height	1.2~2.3 meters, angle adjustable	
Recognition distance	0.5~2.5 meters	
Recognition angle	Vertical viewing angle: 30°; Horizontal viewing angle: 30°	
Recognition time	Less than 0.3 seconds	
Storage capacity	80,000 capture records	90,000 capture records
Face capacity	30,000pcs	100,000pcs
Interface		
Power out	DC12V/2A	
Network interface	1 RJ45 10M / 100M adaptive Ethernet port, Gigabit Ethernet port can be customized	
Wiegand interface	1ch Wiegand interface input/output	
Alarm interface	1ch alarm interface	
Door sensor interface	1ch magnetic interface	
Open interface	1ch open door interface	
Doorbell interface	1ch doorbell interface	
Lock interface	1ch lock interface	
Communication interface	1ch RS485 interface	
Camera		
Camera	Dual cameras, G+P lens, visible light and near infrared, support liveness detection	
Effective pixels	2MP, 1920*1080	
Min Illumination	Color 0.01Lux @F1.2(ICR);B/W 0.001Lux @F1.2 (ICR)	

SNR	≥50db(AGC OFF)	
WDR	120db, ISP algorithm face partial exposure	
Video encoding	H.265 Main Profile encoding/H.264 BP/MP/HP encoding/MJPEG encoding	
Image	Main Stream	50Hz: 25fps (1920×1080,1280×720)
		60Hz: 30fps (1920×1080,1280×720)
	Sub Stream	704*576, 25 frames/second, 640*480, 25 frames/second, 352*288, 25 frames/second
Regular		
Operating temperature	-30°C - +60°C	
Working humidity	0~90% relative humidity, no condensation	
Salt spray	level Rp6 or above	
Antistatic	contact ±6KV, air ±8KV	
Power	DC12V/2A	
Waterproof	IP66	
Power	20W(MAX)	
Screen size	8 inches IPS HD screen, Resolution: 1280*800	
Equipment size	242 (L) * 133 (W) * 22 (T) mm	

**Size:**



**Interface:**

No.	Name	Quantity	Remark
①	Ground	1	Black and White:GND
②	Wiegand input/output	1	Orange:WGI_D0 Orange and white:WGI_D1 Brown:WGO_D0 Brown and white:WGO_D1
③	Fire in	1	Yellow:FIRE_ALM
④	Alarm out	1	Purple:NO Blue:COM White:NC

⑤	Doorbell	1	Light blue:BELL
⑥	Power	1	Red:WG_12V, Black:GND
⑦	Door sensor	1	Light green:DS
⑧	Open	1	Green:OPEN
⑨	Lock	1	Blue and white:NC Green and white:COM Grey:NO
⑩	RS485	1	Red:485+ Black:485-



INTELLIGENT ARTIFICIAL SDN. BHD

**INTELLIGENT ARTIFICIAL SDN BHD**

No.1-2, Jalan Puteri 1/6, Bandar Puteri Puchong, 47100 Puchong, Selangor

Tel: 03-5888 9668 Whatsapp: 016-227 6806/ 018-277 7728

sales@faceid.com.my

www.faceid.com.my